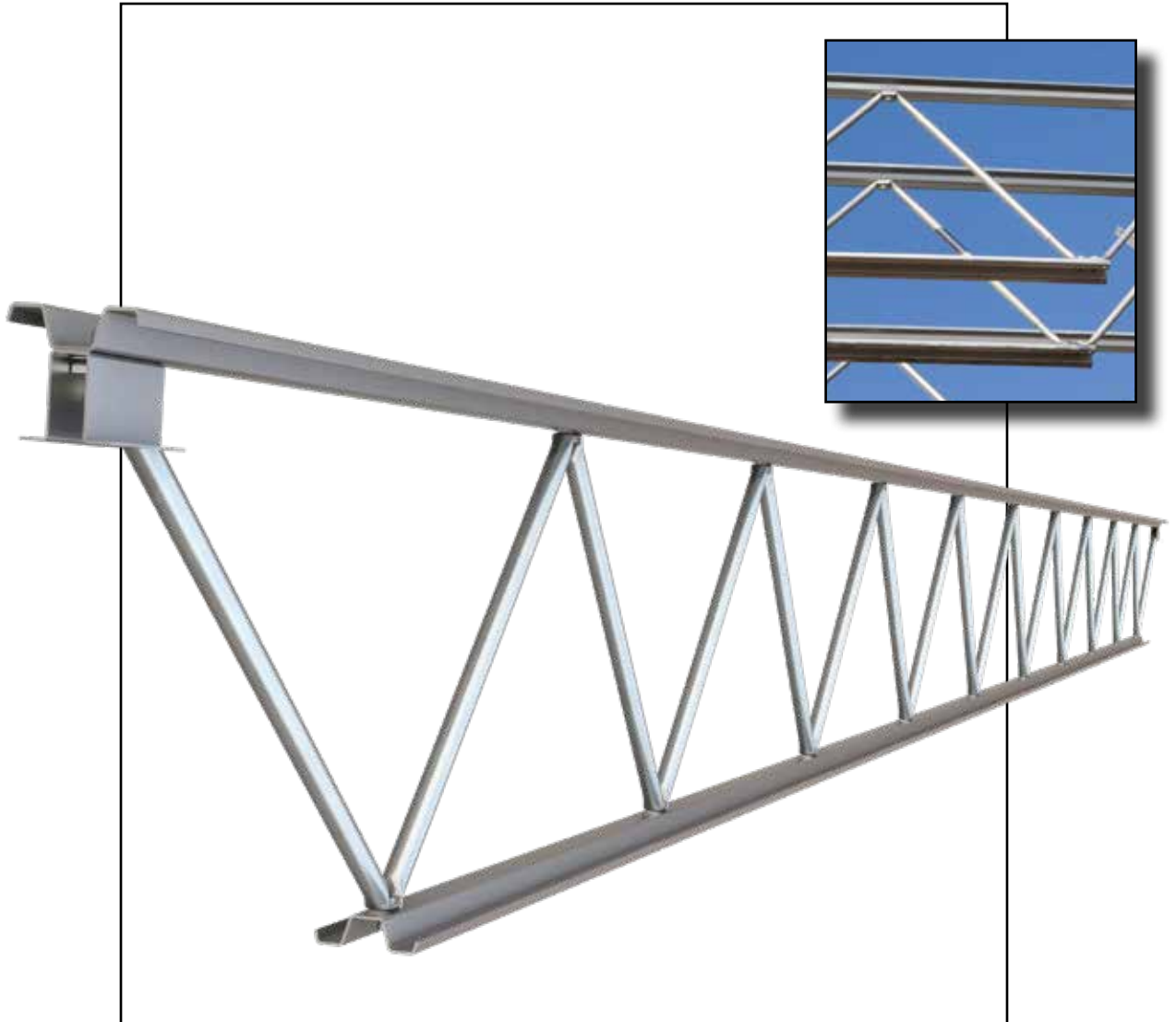




V A R C O P R U D E N B U I L D I N G S

WIDEBAY TRUSSED PURLIN

FRAME SYSTEMS



FEATURES

- Effective for bay spans up to 60'
- Durable G-30 with acrylic coated finish
- Available in 30", 34" and 40" depths
- No field welding required
- Pre-marked bridging locations
- Lighter weight than bar joist

BENEFITS

- Clear, uninterrupted spans optimizes interior space to best fit your floor plan
- Attractive G-30 finish provides long term performance without painting
- Sturdy design and bolted connections reduce construction time and allow for quicker completion
- Single-source from Varco Pruden ensures correct design and fit



WIDEBAY TRUSSED PURLIN

An innovative option for achieving clear spans and open floor space in your building

WideBay Trussed Purlins offer an effective structural option to standard purlins or bar joist. These unique secondary members are designed to provide up to 60' of clear space between columns. WideBay is the ideal choice for projects requiring clear, open interior space for equipment placement, racking and storage or where column-free space is needed for sporting events or concerts.

Built strong to carry the load, WideBay Trussed Purlins can accommodate roof snow loads up to 40 pounds per square foot at a 5'-0" on-center spacing for a 60'-0" span. Adjusting the span and/or spacing can accommodate higher loads. And in spite of their brawn, WideBay purlins are better looking. The standard G-30 Galvanized finish doesn't require field painting and the acrylic coating helps protect the structural appearance for long term, maintenance-free performance.

This advanced system provides more flexibility too. Available in depth options of 30", 34" or 40" and a selection of multiple gauges, WideBay allows for optimal loading solutions. The superior use of steel shapes versus bar joists reduces steel cost. On average, a WideBay solution will weigh 15% to 25% less than bar joist.

VP's WideBay Trussed Purlin is also flexible when it comes to roofing options. It is designed to work with VP's SSR,

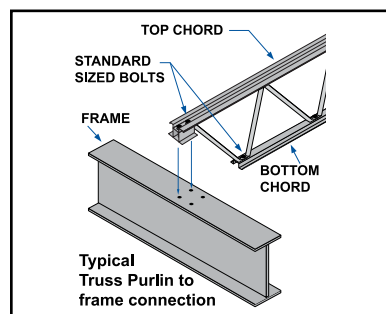


ThermoDeck and Thermalift roof systems. Also, this system supports architectural metal roofs or EPDM when using VP's Deck•Frame system.

WideBay Trussed Purlins can be used with all VP structural framing designs including Rigid Frame, Continuous Beam and Continuous Truss (open web). Like all VP products, WideBay is backed by Varco Pruden's warranty for defects in material and workmanship. To learn more about WideBay and other Varco Pruden products and services, talk to your authorized Varco Pruden Builder or visit us on line at www.vp.com.

WIDEBAY WEIGHT ADVANTAGE BY PERCENTAGE*											
Loading	Bay Lengths										
	40'	42'	44'	46'	48'	50'	52'	54'	56'	58'	60'
20 lb +3	9%	13%	13%	17%	14%	23%	16%	10%	19%	23%	27%
25 lb +3	7%	14%	13%	21%	13%	17%	19%	19%	23%	19%	25%
30 lb +3	11%	19%	20%	17%	21%	19%	25%	20%	31%	27%	36%
35 lb +3	9%	13%	15%	24%	20%	19%	17%	16%	24%	29%	47%
40 lb +3	13%	26%	25%	21%	23%	15%	25%	33%	45%	‡	‡
45 lb +3	9%	23%	29%	21%	10%	22%	32%	39%	‡	‡	‡

* Compared to standard 30" depth bar joist configurations. ‡ Requires closer than 5' on-center spacing.



Varco Pruden Buildings, 3200 Players Club Circle, Memphis, TN 38125

©All rights reserved. Varco Pruden Buildings® is a division of BlueScope Buildings North America, Inc. Varco Pruden meets or exceeds the most comprehensive testing and compliance standards in the building system industry. To learn more about our products, services and qualifications, visit our website, www.vp.com. **Building Solutions... one relationship at a time.**

2031 WideBay Trussed Purlin
Issue Date: 2003
Revised: 8/18